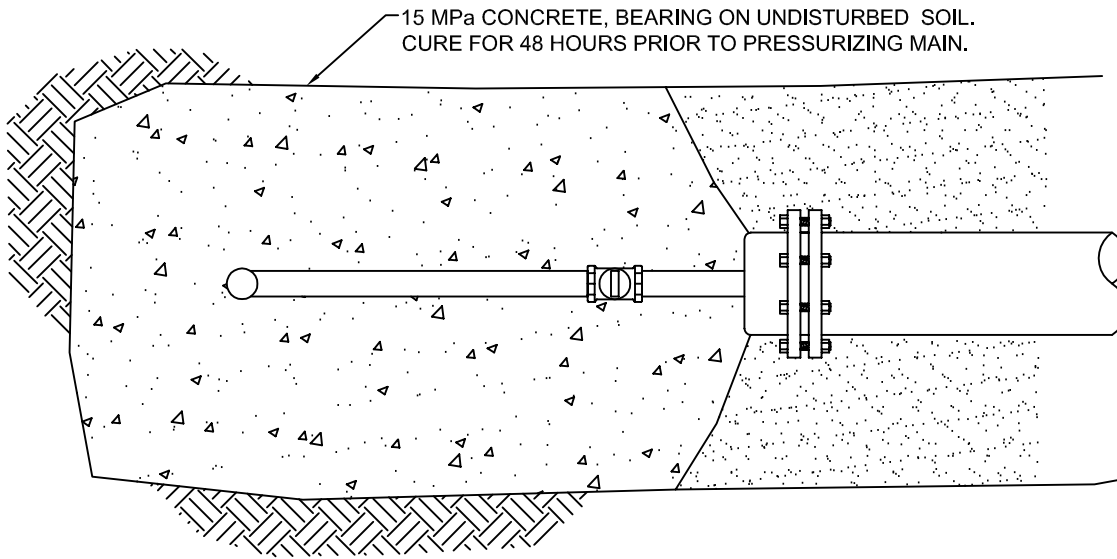


PROFILE



PLAN VIEW

Flush Valve

Revision Date:
October 2003

Drawing Number:
W8SS