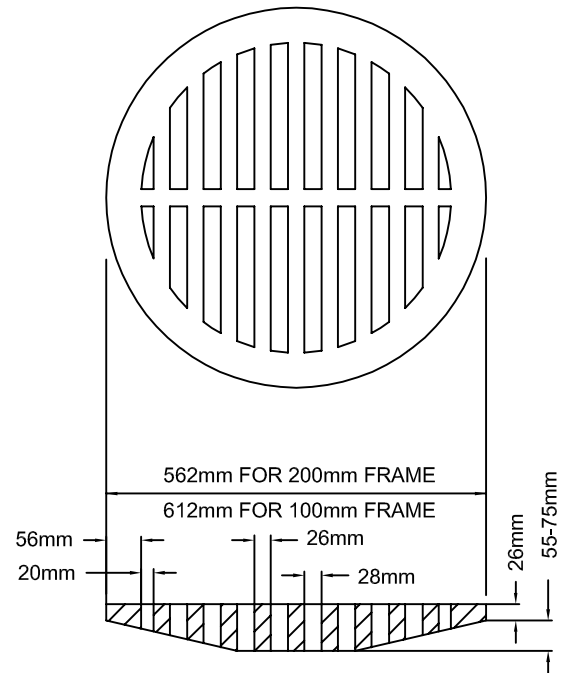
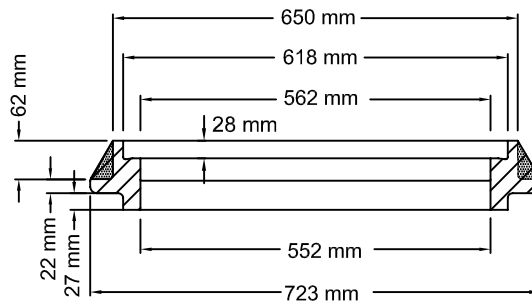


SECTION OF LID THROUGH A - A



GRATED STORM DRAIN LID
(FOR USE WITH SILT TRAPS)



SECTION OF FRAME THROUGH A - A

NOTES:

1. LID TO BE FLUSH WITH, OR 2 - 3mm BELOW, LEVEL OF FRAME.
2. SEWER MANHOLES TO BE IDENTIFIED AS "SAANICH SANITARY SEWERS"
3. ALL DIMENSIONS ARE ± 2 mm, EXCEPT WHERE NOTED.