

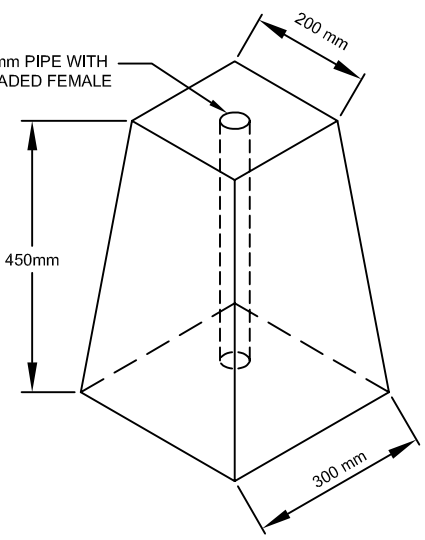
QUADRA ST 3300 150mm or 230mm BLADE



3200 mm

2300 mm

350mm x 50mm PIPE WITH
50mm THREADED FEMALE
COUPLING

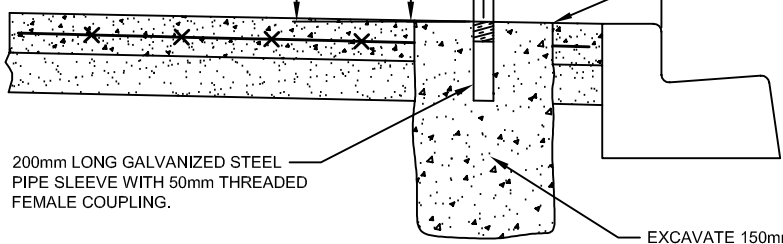


PRECAST CONCRETE BASE

3.2 m x 50mm GALVANIZED STEEL
PIPE WITH 50mm THREADED END.

450 mm

SAW CUT EXISTING SIDEWALK OR
POUR NEW SIDEWALK WITH PIPE
SLEEVE IN PLACE.



200mm LONG GALVANIZED STEEL
PIPE SLEEVE WITH 50mm THREADED
FEMALE COUPLING.

EXCAVATE 150mm AROUND AND
300mm MIN BELOW PIPE. FILL WITH
CONCRETE.
SEE DETAIL OF PRECAST
ALTERNATIVE.

SIGN DETAIL