

Tillicum Road @ Obed Avenue

Wednesday, February 22, 2017

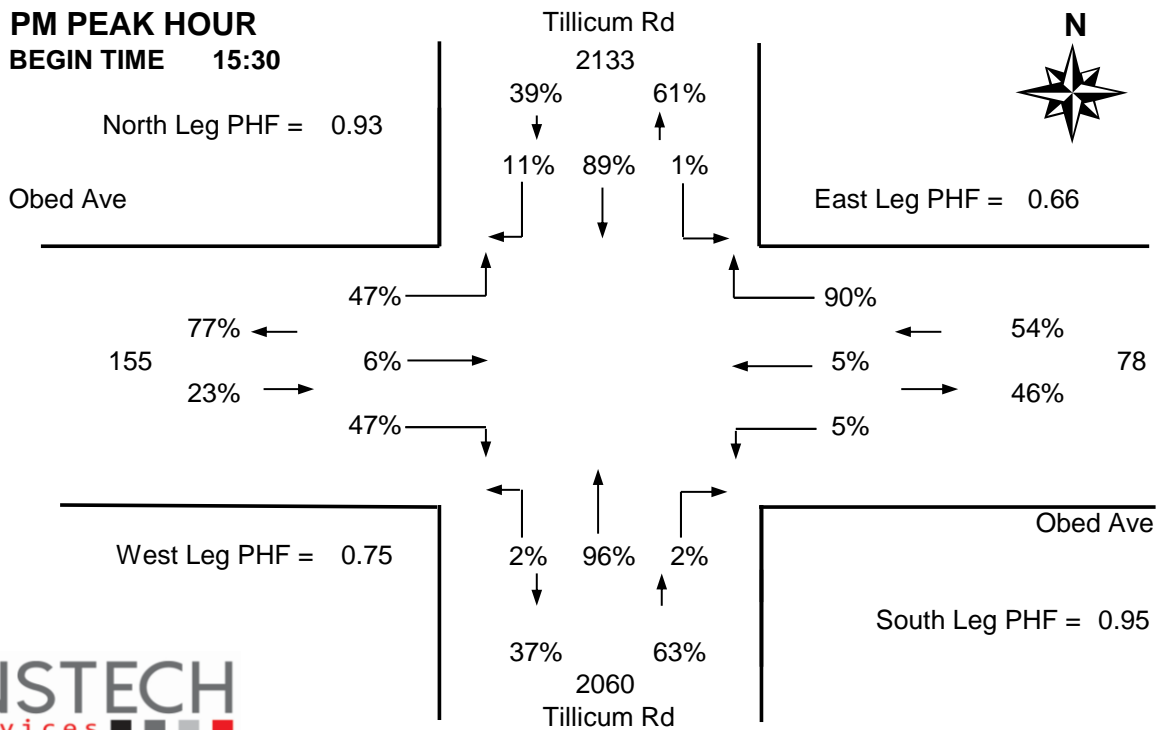
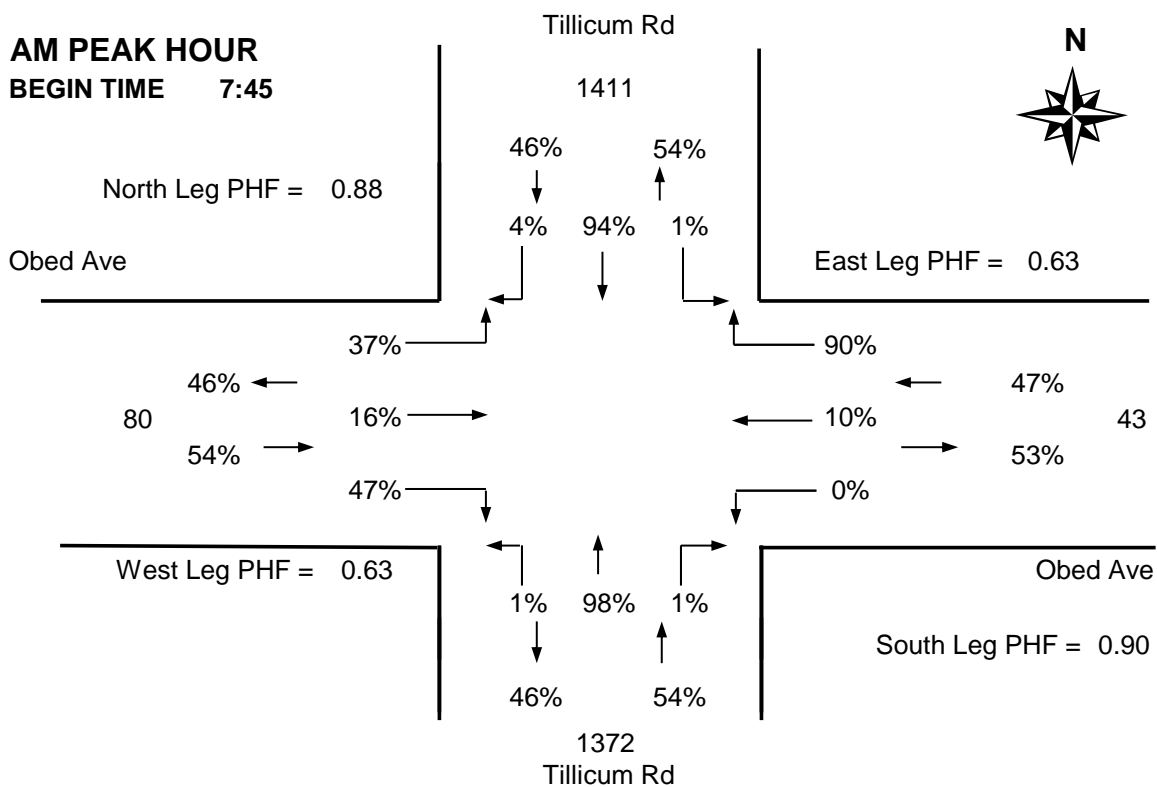


The data presented here is for information purposes only and should not be considered authoritative for construction, geotechnical, engineering, navigational, legal, or other site-specific uses. The information shared is owned by the Transportation Division of the Engineering Department at the District of Saanich. Accuracy is not guaranteed.

DISTRICT OF SAANICH 2017 TRAFFIC COUNTS

Major Route: Tillicum Road
Minor Route: Obed Avenue
Date: Wednesday, February 22, 2017
Filename: Tillicum@Obed-Feb22-2017.xls

Station #: TIN001051
Intersection Type: 4-leg
East/West Route: Obed Avenue
Weather: Clear and dry



DISTRICT OF SAANICH 2017 TRAFFIC COUNTS

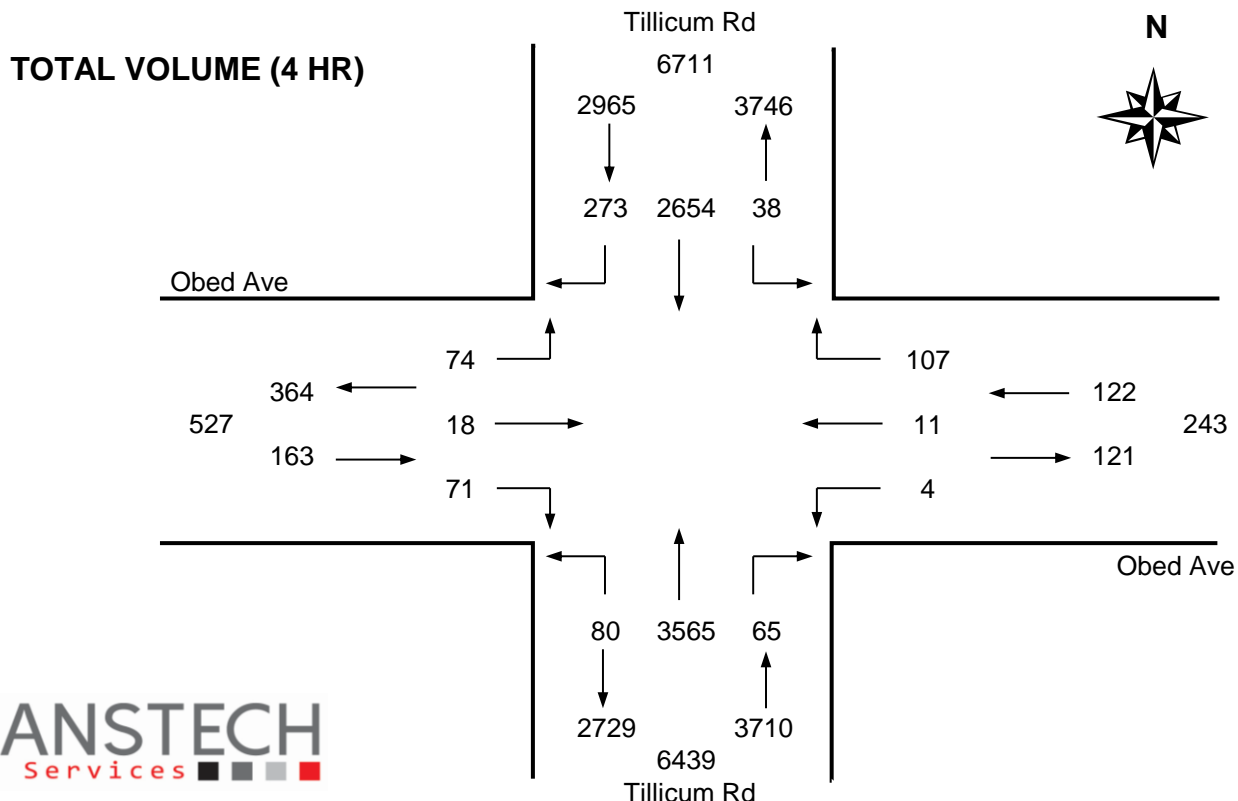
Major Route: Tillicum Road
Minor Route: Obed Avenue
Date: Wednesday, February 22, 2017
Filename: Tillicum@Obed-Feb22-2017.xls

Station #: TIN001051
Intersection Type: 4-leg
East/West Route: Obed Avenue
Weather: Clear and dry

Comments:

Vehicle Data

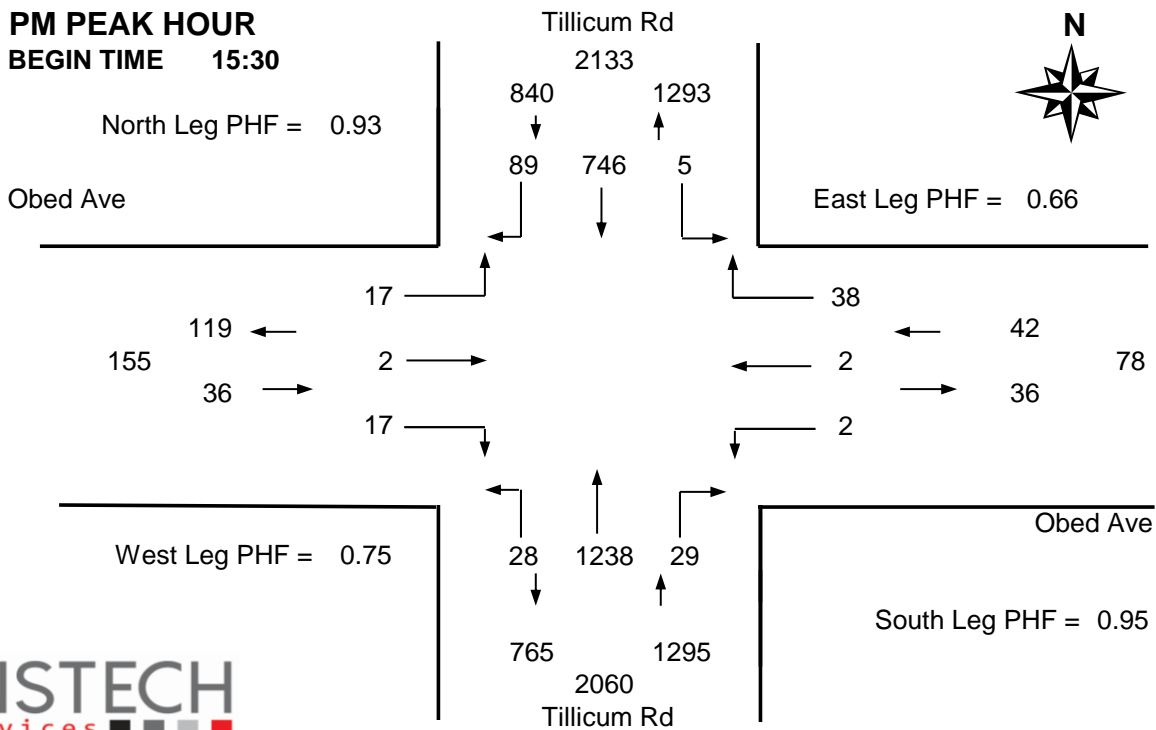
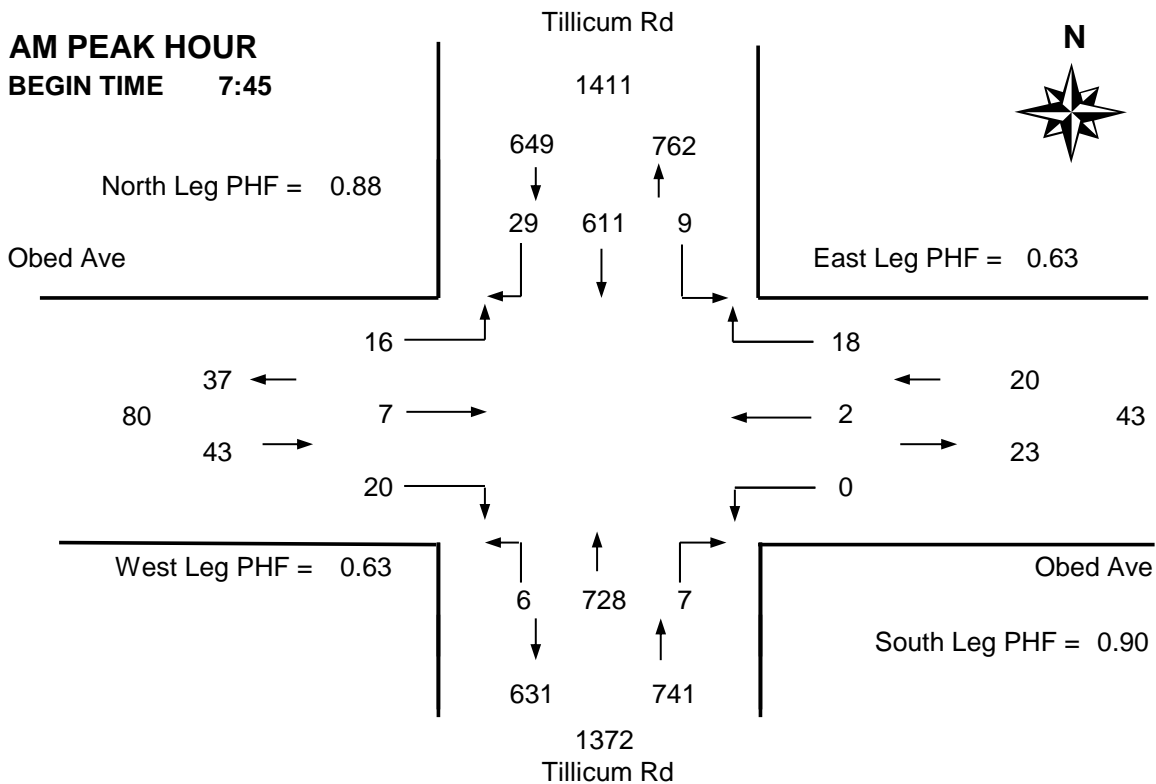
Time Period Starting	Tillicum Rd From North			Tillicum Rd From South			Obed Ave From West			Obed Ave From East			15 Min Total	Hourly Total	Pedestrians			
	Left	Thru	Right	Left	Thru	Right	Left	Thru	Right	Left	Thru	Right			N	S	W	E
	7:30	5	157	9	2	139	2	4	2	4	1	0			6	331	-	
7:45	2	176	6	2	155	1	7	2	8	0	0	5	364 *	-		5	5	6
8:00	2	136	4	0	177	2	2	2	4	0	0	5	334 *	-		9	3	4
8:15	1	138	8	1	197	1	4	2	6	0	0	2	360 *	1389		7	2	7
8:30	4	161	11	3	199	3	3	1	2	0	2	6	395 +	1453		10	2	2
8:45	5	156	13	6	150	1	2	2	6	0	1	5	347	1436		0	3	2
9:00	3	140	10	4	141	1	6	0	7	0	0	10	322	1424		1	2	2
9:15	2	135	10	2	114	2	2	0	2	1	0	5	275	1339		2	0	2
Total	24	1199	71	20	1272	13	30	11	39	2	3	44	2728	-	0	38	21	28
Pk Hr	9	611	29	6	728	7	16	7	20	0	2	18	1453 *	-	0	31	12	19
Pk Hr Factor	0.56	0.87	0.66	0.50	0.91	0.58	0.57	0.88	0.63	n/a	0.25	0.75	0.92	* = Peak hour + = Peak 15 minutes				
	0.88			0.90			0.63			0.63								
15:30	2	198	26	6	294	7	4	2	5	0	0	9	553 *	-		6	8	4
15:45	0	173	16	7	307	8	4	0	3	1	1	14	534 *	-		7	4	7
16:00	2	180	20	8	327	6	4	0	2	1	0	9	559 *	-		4	5	5
16:15	1	195	27	7	310	8	5	0	7	0	1	6	567 +	2213		5	4	5
16:30	3	184	23	11	305	5	4	2	5	0	1	8	551	2211		7	2	3
16:45	0	183	28	8	270	9	6	1	3	0	1	5	514	2191		1	1	9
17:00	4	179	37	5	236	3	6	1	3	0	2	7	483	2115		3	4	4
17:15	2	163	25	8	244	6	11	1	4	0	2	5	471	2019		16	7	5
Total	14	1455	202	60	2293	52	44	7	32	2	8	63	4232	-	0	49	35	42
Pk Hr	5	746	89	28	1238	29	17	2	17	2	2	38	2213 *	-	0	22	21	21
Pk Hr Factor	0.63	0.94	0.82	0.88	0.95	0.91	0.85	0.25	0.61	0.50	0.50	0.68	0.98					
	0.93			0.95			0.75			0.66								



DISTRICT OF SAANICH 2017 TRAFFIC COUNTS

Major Route: Tillicum Road
Minor Route: Obed Avenue
Date: Wednesday, February 22, 2017
Filename: Tillicum@Obed-Feb22-2017.xls

Station #: TIN001051
Intersection Type: 4-leg
East/West Route: Obed Avenue
Weather: Clear and dry



DISTRICT OF SAANICH 2017 TRAFFIC COUNTS

Major Route: Tillicum Road
Minor Route: Obed Avenue
Date: Wednesday, February 22, 2017
Filename: Tillicum@Obed-Feb22-2017.xls

Station #: TIN001051
Intersection Type: 4-leg
East/West Route: Obed Avenue
Weather: Clear and dry

Comments:

Bicycle Data

Time Period Starting	Tillicum Rd			Tillicum Rd			Obed Ave			Obed Ave			15 Min Total	Hourly Total
	From North			From South			From West			From East				
	Left	Thru	Right	Left	Thru	Right	Left	Thru	Right	Left	Thru	Right		
7:30		1		0	1	0		0	0		0		2 *	-
7:45		1		0	4	0		0	0		0		5 *	-
8:00		1		0	3	1		0	1		0		6 +	-
8:15		1		0	0	0		0	0		0		1 *	14
8:30		1		0	0	0		0	0		0		1	13
8:45		0		0	0	0		0	0		0		0	8
9:00		0		0	0	0		2	0		0		2	4
9:15		0		0	0	0		0	0		0		0	3
Total	0	5	0	0	8	1	0	2	1	0	0	0	17	-
Pk Hr	0	4	0	0	8	1	0	0	1	0	0	0	14 *	-
15x4	0	4	0	0	16	4	0	0	4	0	0	0	28 +	-

15:30		0		0	0	0		1	1		0		2 *	-
15:45		0		0	1	1		0	0		0		2 *	-
16:00		1		1	1	0		0	0		1		4 +	-
16:15		1		0	2	0		0	0		0		3 *	11
16:30		1		0	1	0		0	0		0		2	11
16:45		0		0	1	0		0	0		0		1	10
17:00		0		0	1	0		0	0		0		1	7
17:15		1		0	0	0		0	0		0		1	5
Total	0	4	0	1	7	1	0	1	1	0	1	0	16	-
Pk Hr	0	2	0	1	4	1	0	1	1	0	1	0	11 *	-
15x4	0	4	0	4	8	4	0	0	0	0	4	0	24 +	-

4 Hr	0	9	0	1	15	2	0	3	2	0	1	0	33	66
------	---	---	---	---	----	---	---	---	---	---	---	---	----	----

PEAK HOUR SUMMARY

