

# Haliburton Road @ Del Monte Avenue

Tuesday, September 25, 2018

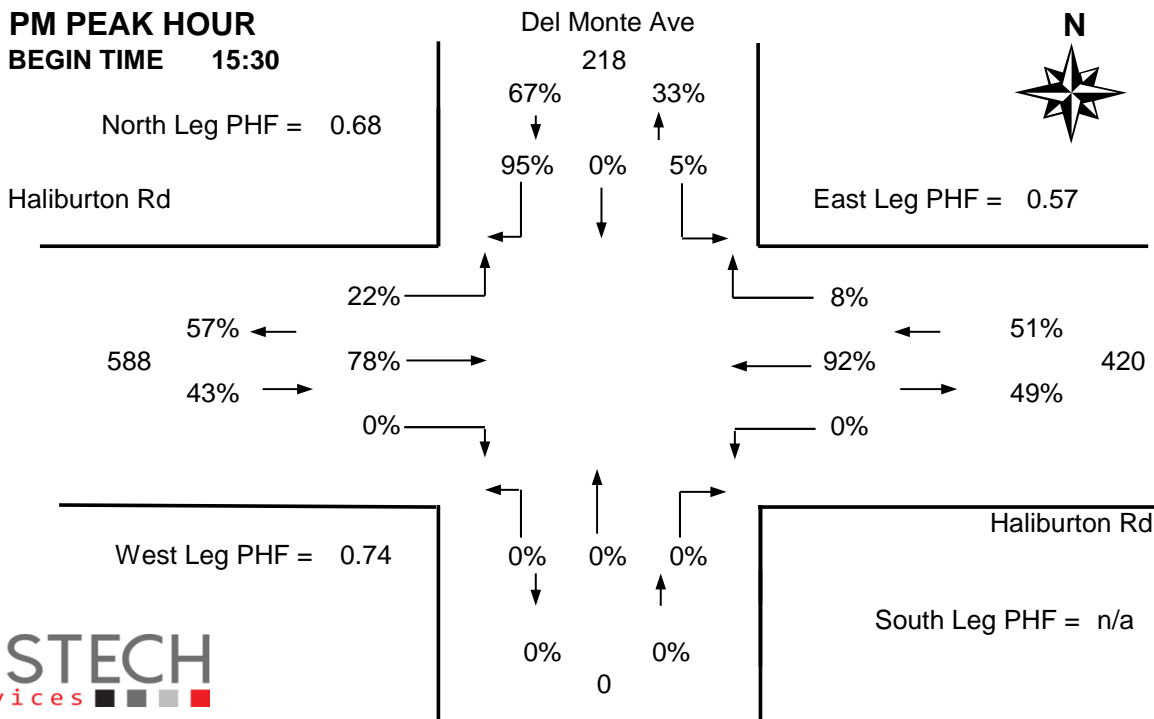
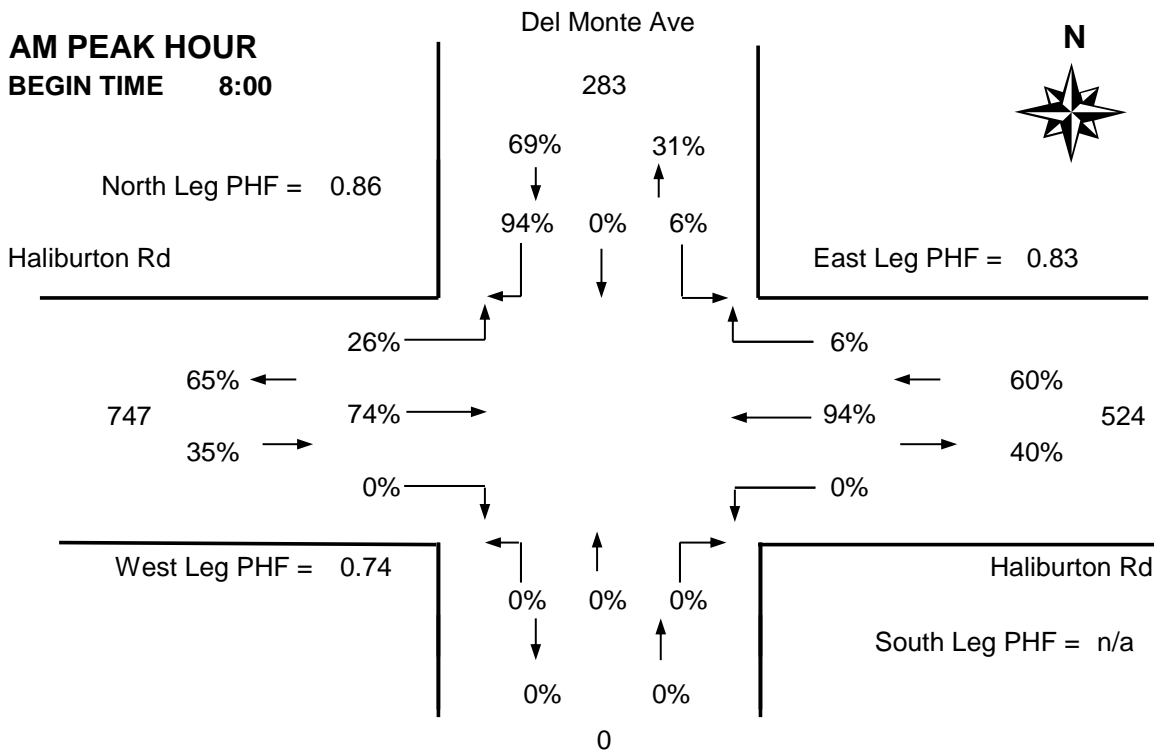


The data presented here is for information purposes only and should not be considered authoritative for construction, geotechnical, engineering, navigational, legal, or other site-specific uses. The information shared is owned by the Transportation Division of the Engineering Department at the District of Saanich. Accuracy is not guaranteed.

# DISTRICT OF SAANICH 2018 TRAFFIC COUNTS

**Major Route:** Haliburton Road  
**Minor Route:** Del Monte Avenue  
**Date:** Tuesday, September 25, 2018  
**Filename:** Haliburton@Del Monte-Sep25-2018.xls

**Station #:** TIN001622  
**Intersection Type:** 3-leg north approach  
**East/West Route:** Haliburton Road  
**Weather:** Clear and dry



# DISTRICT OF SAANICH 2018 TRAFFIC COUNTS

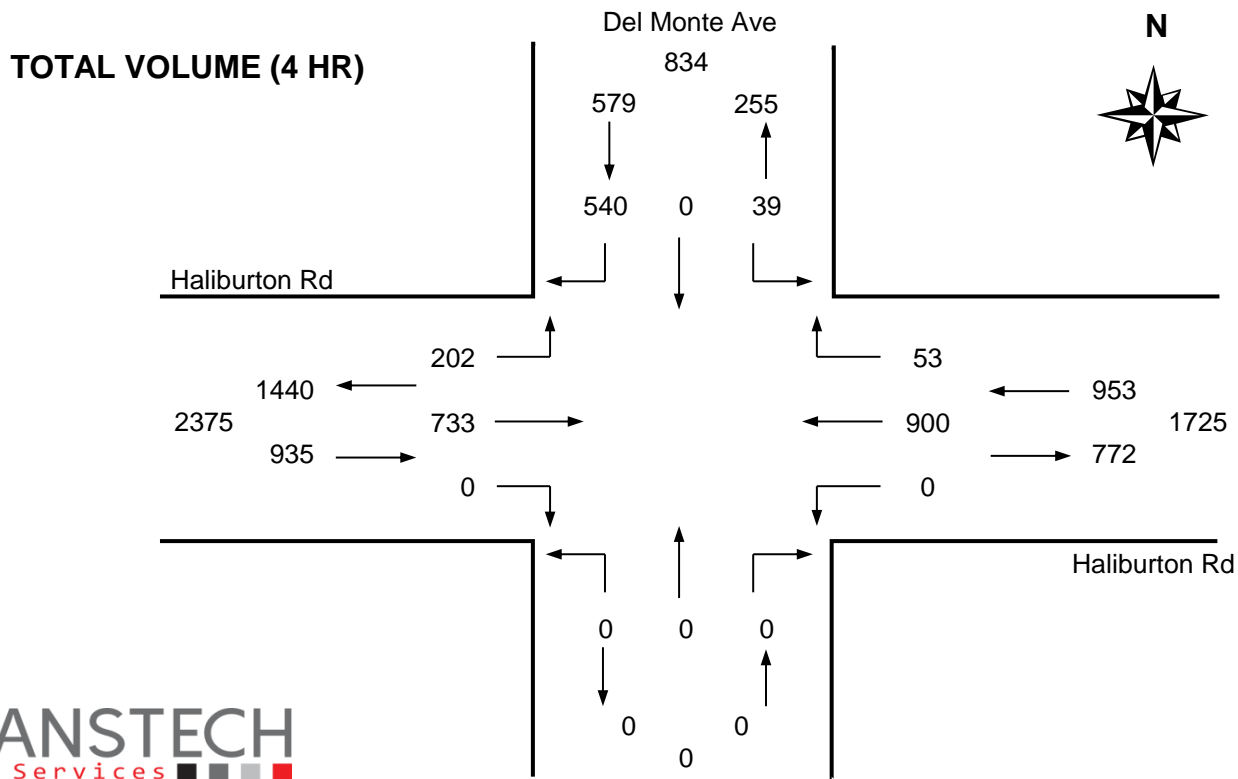
**Major Route:** Haliburton Road  
**Minor Route:** Del Monte Avenue  
**Date:** Tuesday, September 25, 2018  
**Filename:** Haliburton@Del Monte-Sep25-2018.xls

**Station #:** TIN001622  
**Intersection Type:** 3-leg north approach  
**East/West Route:** Haliburton Road  
**Weather:** Clear and dry

**Comments:** Count ID-2018144

**Vehicle Data**

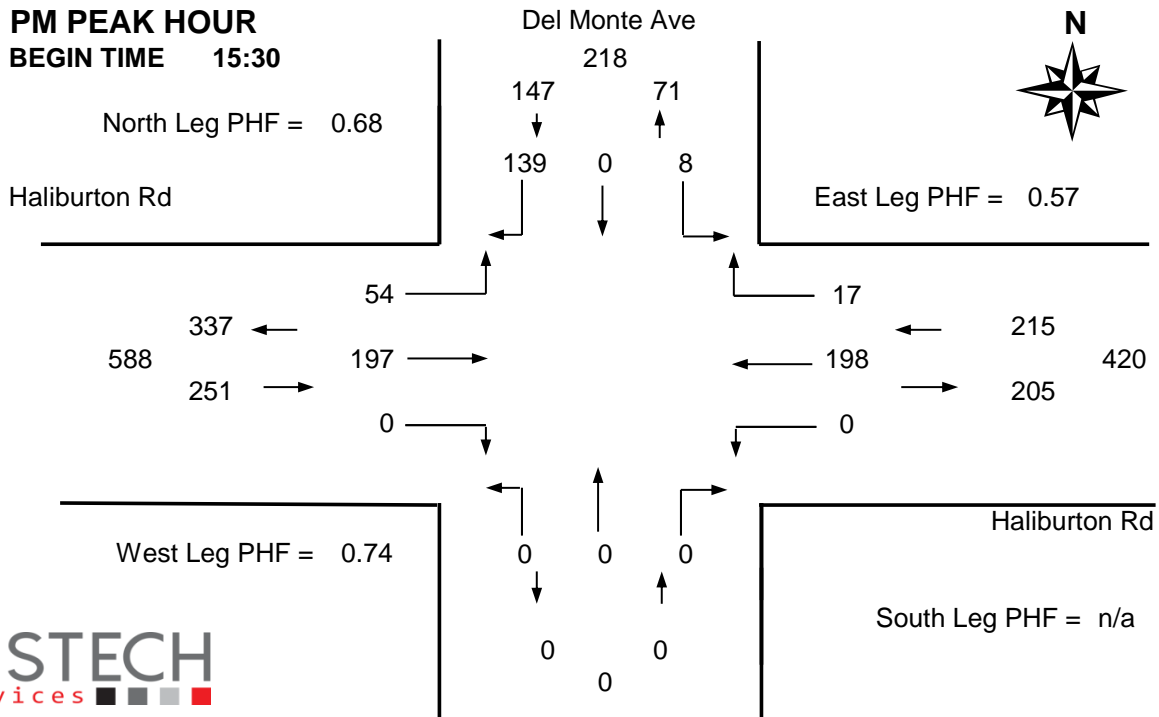
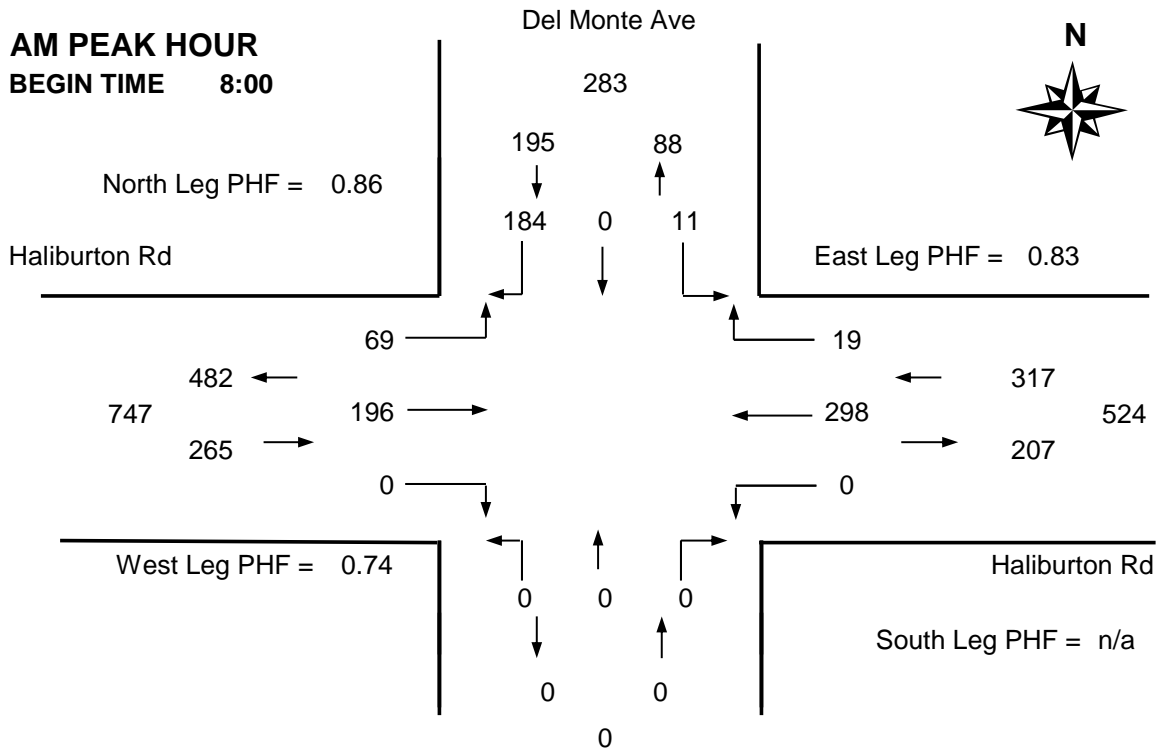
Time Period Starting	Del Monte Ave						Haliburton Rd			Haliburton Rd			15 Min Total	Hourly Total	Pedestrians			
	From North			From South			From West			From East					N	S	W	E
	Left	Thru	Right	Left	Thru	Right	Left	Thru	Right	Left	Thru	Right						
7:30	5		40				7	34			71	1	158	-	4		0	0
7:45	3		44				11	35			79	2	174	-	5		0	0
8:00	2		55				2	25			74	0	158 *	-	1		0	0
8:15	3		33				16	49			60	0	161 *	651	1		0	0
8:30	3		42				26	57			90	6	224 *	717	12		0	0
8:45	3		54				25	65			74	13	234 +	777	4		0	0
9:00	5		24				13	30			61	3	136	755	2		0	0
9:15	1		25				3	18			40	1	88	682	1		0	0
<b>Total</b>	<b>25</b>	<b>0</b>	<b>317</b>	<b>0</b>	<b>0</b>	<b>0</b>	<b>103</b>	<b>313</b>	<b>0</b>	<b>0</b>	<b>549</b>	<b>26</b>	<b>1333</b>	<b>-</b>	<b>30</b>	<b>0</b>	<b>0</b>	<b>0</b>
<b>Pk Hr</b>	<b>11</b>	<b>0</b>	<b>184</b>	<b>0</b>	<b>0</b>	<b>0</b>	<b>69</b>	<b>196</b>	<b>0</b>	<b>0</b>	<b>298</b>	<b>19</b>	<b>777 *</b>	<b>-</b>	<b>18</b>	<b>0</b>	<b>0</b>	<b>0</b>
<b>Pk Hr Factor</b>	<b>0.92</b>	<b>n/a</b>	<b>0.84</b>	<b>n/a</b>	<b>n/a</b>	<b>n/a</b>	<b>0.66</b>	<b>0.75</b>	<b>n/a</b>	<b>n/a</b>	<b>0.83</b>	<b>0.37</b>	<b>0.83</b>	* = Peak hour + = Peak 15 minutes				
	<b>0.86</b>			<b>n/a</b>			<b>0.74</b>			<b>0.83</b>								
15:30	0		54				13	72			84	10	233 +	-	53		0	1
15:45	5		35				14	44			44	5	147 *	-	16		0	1
16:00	0		26				15	31			40	1	113 *	-	6		0	0
16:15	3		24				12	50			30	1	120 *	613	1		0	0
16:30	1		24				13	44			44	3	129	509	4		0	0
16:45	1		18				14	58			33	2	126	488	14		0	1
17:00	2		21				7	59			43	2	134	509	1		0	0
17:15	2		21				11	62			33	3	132	521	4		0	0
<b>Total</b>	<b>14</b>	<b>0</b>	<b>223</b>	<b>0</b>	<b>0</b>	<b>0</b>	<b>99</b>	<b>420</b>	<b>0</b>	<b>0</b>	<b>351</b>	<b>27</b>	<b>1134</b>	<b>-</b>	<b>99</b>	<b>0</b>	<b>0</b>	<b>3</b>
<b>Pk Hr</b>	<b>8</b>	<b>0</b>	<b>139</b>	<b>0</b>	<b>0</b>	<b>0</b>	<b>54</b>	<b>197</b>	<b>0</b>	<b>0</b>	<b>198</b>	<b>17</b>	<b>613 *</b>	<b>-</b>	<b>76</b>	<b>0</b>	<b>0</b>	<b>2</b>
<b>Pk Hr Factor</b>	<b>0.40</b>	<b>n/a</b>	<b>0.64</b>	<b>n/a</b>	<b>n/a</b>	<b>n/a</b>	<b>0.90</b>	<b>0.68</b>	<b>n/a</b>	<b>n/a</b>	<b>0.59</b>	<b>0.43</b>	<b>0.66</b>					
	<b>0.68</b>			<b>n/a</b>			<b>0.74</b>			<b>0.57</b>								



# DISTRICT OF SAANICH 2018 TRAFFIC COUNTS

**Major Route:** Haliburton Road  
**Minor Route:** Del Monte Avenue  
**Date:** Tuesday, September 25, 2018  
**Filename:** Haliburton@Del Monte-Sep25-2018.xls

**Station #:** TIN001622  
**Intersection Type:** 3-leg north approach  
**East/West Route:** Haliburton Road  
**Weather:** Clear and dry



# DISTRICT OF SAANICH 2018 TRAFFIC COUNTS

**Major Route:** Haliburton Road  
**Minor Route:** Del Monte Avenue  
**Date:** Tuesday, September 25, 2018  
**Filename:** Haliburton@Del Monte-Sep25-2018.xls

**Station #:** TIN001622  
**Intersection Type:** 3-leg north approach  
**East/West Route:** Haliburton Road  
**Weather:** Clear and dry

**Comments:** Count ID-2018144

### Bicycle Data

Time Period Starting	Del Monte Ave						Haliburton Rd			Haliburton Rd			15 Min Total	Hourly Total
	From North			From South			From West			From East				
	Left	Thru	Right	Left	Thru	Right	Left	Thru	Right	Left	Thru	Right		
7:30	0		0				0	0			0	0	0	-
7:45	0		5				0	0			0	0	5 +	-
8:00	0		1				0	1			0	0	2 *	-
8:15	0		0				0	0			0	0	0 *	7
8:30	0		1				0	0			0	0	1 *	8
8:45	0		1				0	0			0	0	1	4
9:00	0		0				0	0			1	0	1	3
9:15	1		0				0	0			0	0	1	4
<b>Total</b>	<b>1</b>	<b>0</b>	<b>8</b>	<b>0</b>	<b>0</b>	<b>0</b>	<b>0</b>	<b>1</b>	<b>0</b>	<b>0</b>	<b>1</b>	<b>0</b>	<b>11</b>	<b>-</b>
<b>Pk Hr</b>	<b>0</b>	<b>0</b>	<b>7</b>	<b>0</b>	<b>0</b>	<b>0</b>	<b>0</b>	<b>1</b>	<b>0</b>	<b>0</b>	<b>0</b>	<b>0</b>	<b>8 *</b>	<b>-</b>
<b>15x4</b>	<b>0</b>	<b>0</b>	<b>20</b>	<b>0</b>	<b>0</b>	<b>0</b>	<b>0</b>	<b>4</b>	<b>0</b>	<b>0</b>	<b>0</b>	<b>0</b>	<b>20 +</b>	<b>-</b>

15:30	0		1				0	0			1	0	2	-
15:45	0		0				0	0			1	0	1	-
16:00	0		0				0	0			0	0	0	-
16:15	0		0				1	0			0	0	1	4
16:30	1		1				0	1			0	0	3 *	5
16:45	0		0				0	0			0	0	0 *	4
17:00	0		1				0	0			1	0	2 *	6
17:15	0		0				2	0			2	0	4 +	9
<b>Total</b>	<b>1</b>	<b>0</b>	<b>3</b>	<b>0</b>	<b>0</b>	<b>0</b>	<b>3</b>	<b>1</b>	<b>0</b>	<b>0</b>	<b>5</b>	<b>0</b>	<b>13</b>	<b>-</b>
<b>Pk Hr</b>	<b>1</b>	<b>0</b>	<b>2</b>	<b>0</b>	<b>0</b>	<b>0</b>	<b>2</b>	<b>1</b>	<b>0</b>	<b>0</b>	<b>3</b>	<b>0</b>	<b>9 *</b>	<b>-</b>
<b>15x4</b>	<b>4</b>	<b>0</b>	<b>4</b>	<b>0</b>	<b>0</b>	<b>0</b>	<b>8</b>	<b>4</b>	<b>0</b>	<b>0</b>	<b>8</b>	<b>0</b>	<b>16 +</b>	<b>-</b>

<b>4 Hr</b>	<b>2</b>	<b>0</b>	<b>11</b>	<b>0</b>	<b>0</b>	<b>0</b>	<b>3</b>	<b>2</b>	<b>0</b>	<b>0</b>	<b>6</b>	<b>0</b>	<b>24</b>	<b>48</b>
-------------	----------	----------	-----------	----------	----------	----------	----------	----------	----------	----------	----------	----------	-----------	-----------

### PEAK HOUR SUMMARY

