

Glanford Avenue @ West Saanich Road

Thursday, October 19, 2017



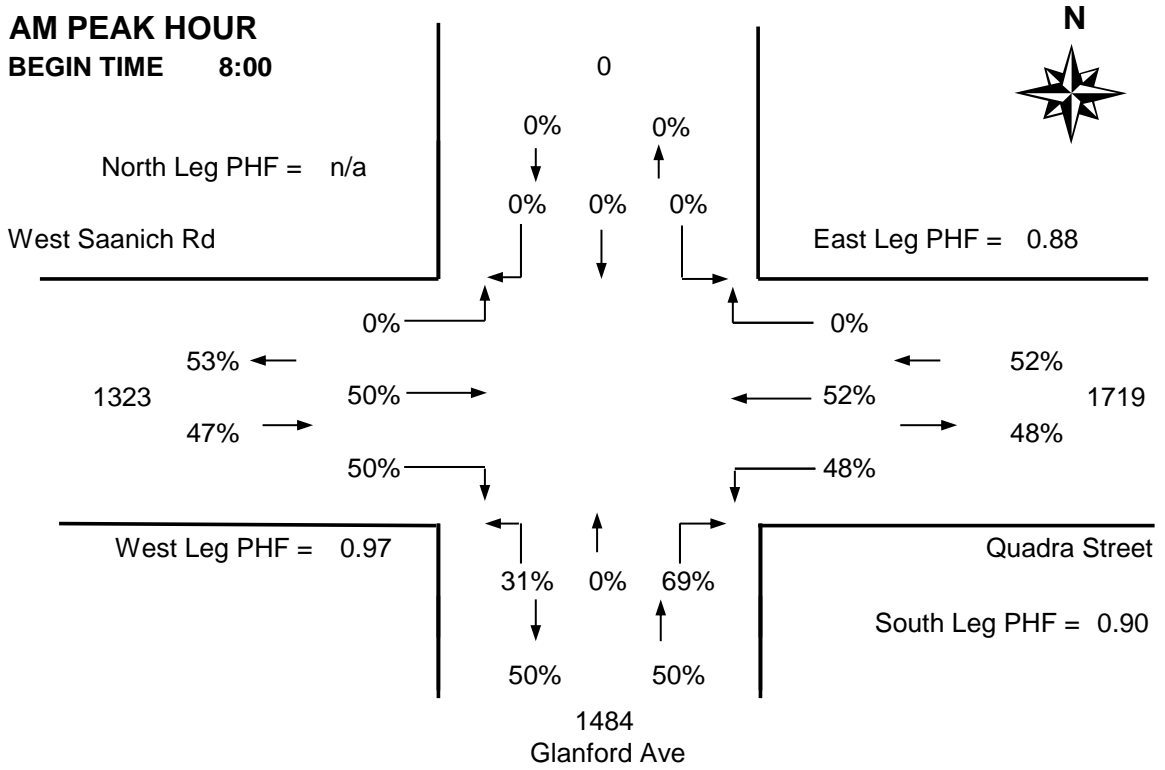
The data presented here is for information purposes only and should not be considered authoritative for construction, geotechnical, engineering, navigational, legal, or other site-specific uses. The information shared is owned by the Transportation Division of the Engineering Department at the District of Saanich. Accuracy is not guaranteed.

DISTRICT OF SAANICH 2017 TRAFFIC COUNTS

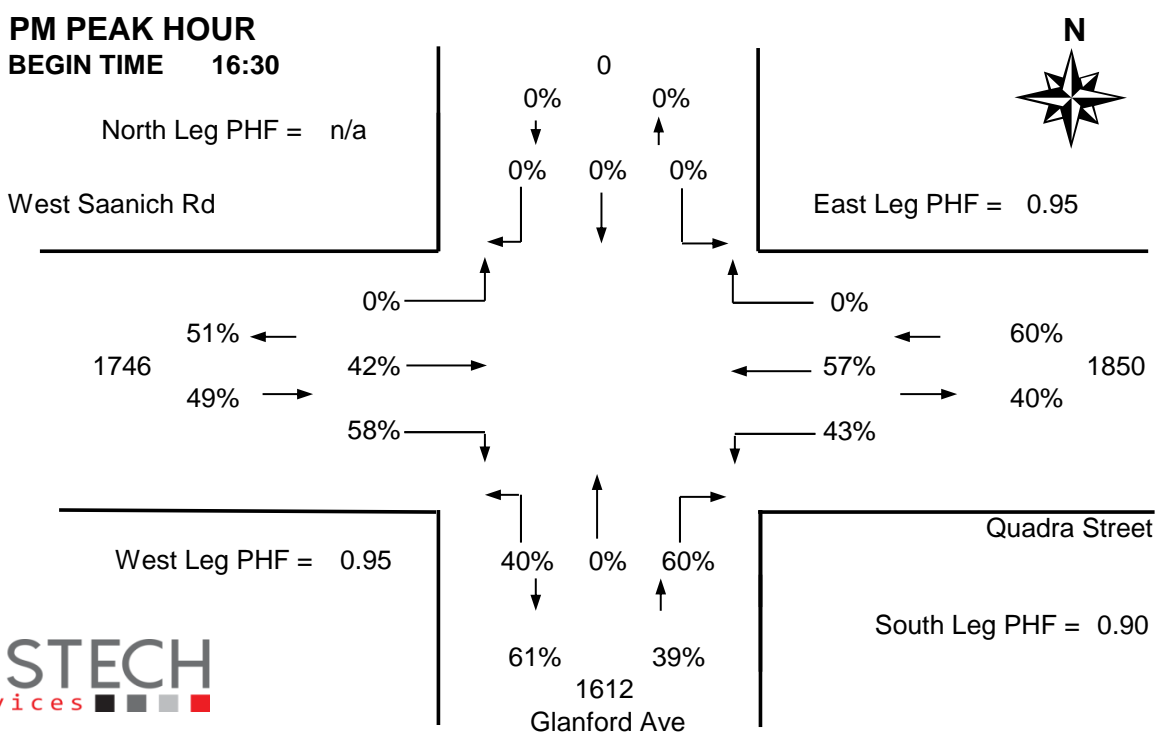
Major Route: Glanford Avenue
Minor Route: West Saanich Road
Date: Thursday, October 19, 2017
Filename: Glanford@West Saanich-Oct19-2017.xls

Station #: TIN001266
Intersection Type: 3-leg south approach
East/West Route: West Saanich Road
Weather: Rain and wet

AM PEAK HOUR
BEGIN TIME 8:00



PM PEAK HOUR
BEGIN TIME 16:30



DISTRICT OF SAANICH 2017 TRAFFIC COUNTS

Major Route: Glanford Avenue
Minor Route: West Saanich Road
Date: Thursday, October 19, 2017
Filename: Glanford@West Saanich-Oct19-2017.xls

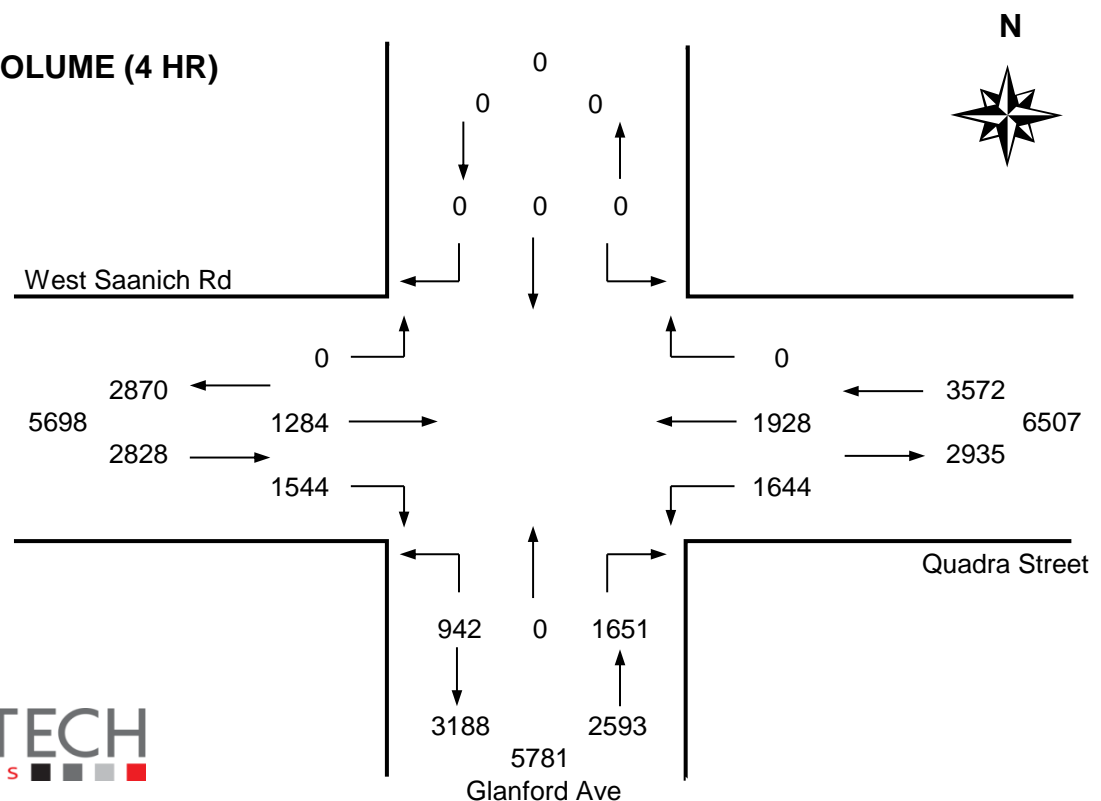
Station #: TIN001266
Intersection Type: 3-leg south approach
East/West Route: West Saanich Road
Weather: Rain and wet

Comments:

Vehicle Data

Time Period Starting	Glanford Ave			West Saanich Rd			Quadra Street			15 Min Total	Hourly Total	Pedestrians						
	From North			From South			From West					From East			N	S	W	E
	Left	Thru	Right	Left	Thru	Right	Left	Thru	Right			Left	Thru	Right				
7:30				48		113		46	41	74	62		384	-		3	2	0
7:45				40		143		75	63	103	107		531	-		1	1	1
8:00				49		125		80	75	100	98		527 *	-		1	0	0
8:15				60		138		71	80	121	101		571 *	2013		0	1	3
8:30				62		144		87	68	96	129		586 +	2215		1	1	3
8:45				60		104		70	90	112	143		579 *	2263		0	1	3
9:00				46		76		83	87	63	84		439	2175		1	1	0
9:15				62		88		62	69	69	98		448	2052		0	2	0
Total	0	0	0	427	0	931	0	574	573	738	822	0	4065	-	0	7	9	10
Pk Hr	0	0	0	231	0	511	0	308	313	429	471	0	2263 *	-	0	2	3	9
Pk Hr Factor	n/a	n/a	n/a	0.93	n/a	0.89	n/a	0.89	0.87	0.89	0.82	n/a	0.97	* = Peak hour + = Peak 15 minutes				
	n/a			0.90			0.97			0.88								
15:30				79		90		91	123	99	80		562	-		0	5	0
15:45				59		70		90	119	98	119		555	-		3	2	0
16:00				72		101		97	112	110	121		613	-		1	1	0
16:15				48		81		75	120	119	151		594	2324		1	1	0
16:30				62		89		80	134	124	163		652 *	2414		2	4	0
16:45				74		102		96	128	123	165		688 +	2547		0	1	0
17:00				58		110		88	114	126	168		664 *	2598		0	0	0
17:15				63		77		93	121	107	139		600 *	2604		1	2	0
Total	0	0	0	515	0	720	0	710	971	906	1106	0	4928	-	0	8	16	0
Pk Hr	0	0	0	257	0	378	0	357	497	480	635	0	2604 *	-	0	3	7	0
Pk Hr Factor	n/a	n/a	n/a	0.87	n/a	0.86	n/a	0.93	0.93	0.95	0.94	n/a	0.95					
	n/a			0.90			0.95			0.95								

TOTAL VOLUME (4 HR)



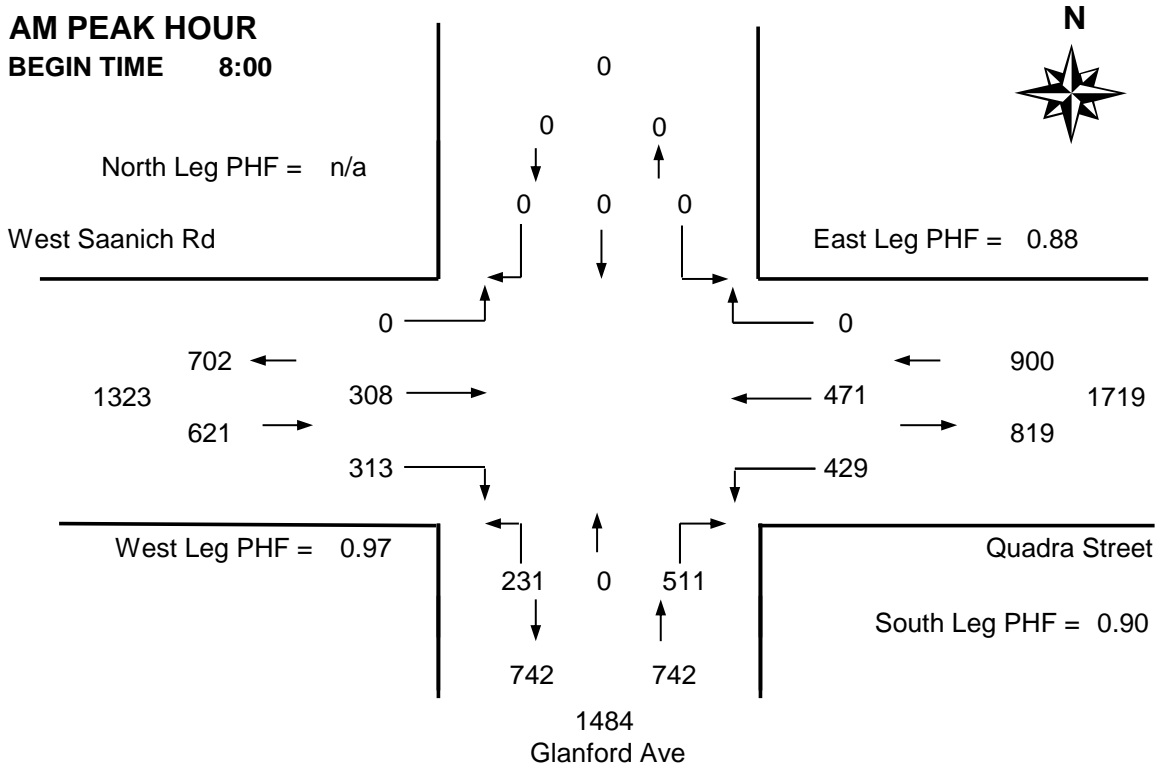
DISTRICT OF SAANICH 2017 TRAFFIC COUNTS

Major Route: Glanford Avenue
Minor Route: West Saanich Road
Date: Thursday, October 19, 2017
Filename: Glanford@West Saanich-Oct19-2017.xls

Station #: TIN001266
Intersection Type: 3-leg south approach
East/West Route: West Saanich Road
Weather: Rain and wet

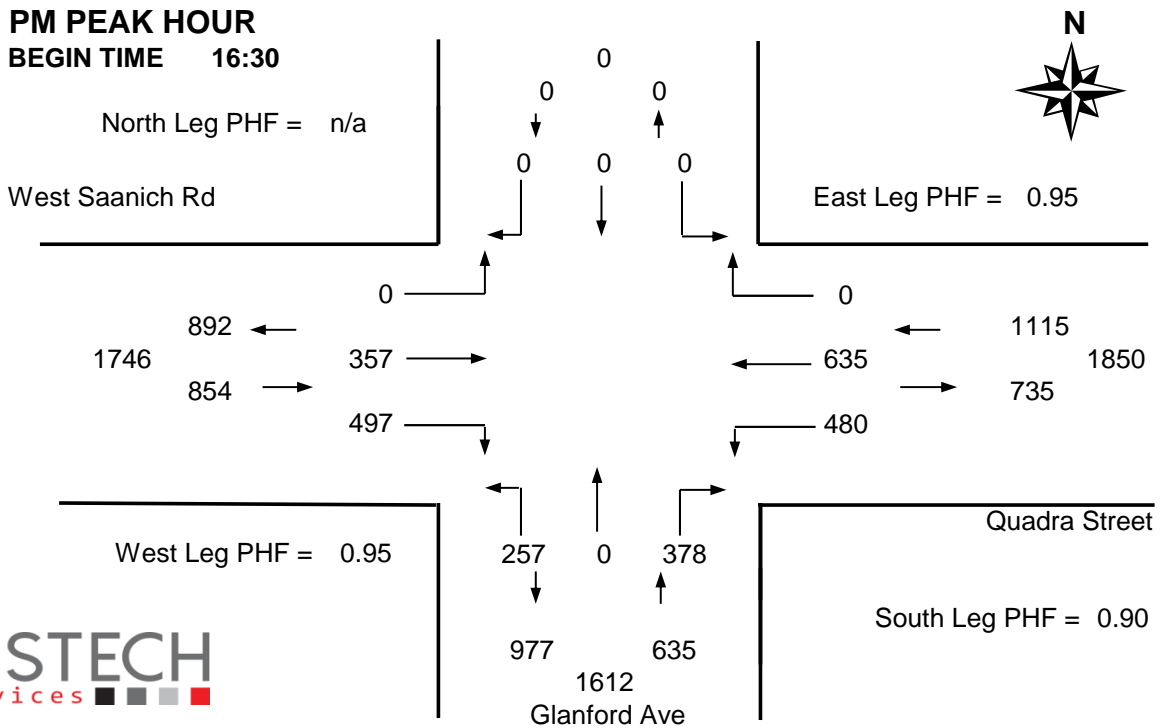
AM PEAK HOUR

BEGIN TIME 8:00



PM PEAK HOUR

BEGIN TIME 16:30



DISTRICT OF SAANICH 2017 TRAFFIC COUNTS

Major Route: Glanford Avenue
Minor Route: West Saanich Road
Date: Thursday, October 19, 2017
Filename: Glanford@West Saanich-Oct19-2017.xls

Station #: TIN001266
Intersection Type: 3-leg south approach
East/West Route: West Saanich Road
Weather: Rain and wet

Comments:

Bicycle Data

Time Period Starting	Glanford Ave			West Saanich Rd			Quadra Street			15 Min Total	Hourly Total			
	From North			From South			From West					From East		
	Left	Thru	Right	Left	Thru	Right	Left	Thru	Right			Left	Thru	Right
7:30				0		0		1	0	0	0		1 *	-
7:45				0		0		0	0	1	3		4 +	-
8:00				1		1		0	0	0	0		2 *	-
8:15				0		0		0	0	3	0		3 *	10
8:30				0		0		0	0	1	0		1	10
8:45				0		0		0	0	0	0		0	6
9:00				0		0		0	0	1	0		1	5
9:15				0		0		2	0	0	0		2	4
Total	0	0	0	1	0	1	0	3	0	6	3	0	14	-
Pk Hr	0	0	0	1	0	1	0	1	0	4	3	0	10 *	-
15x4	0	0	0	4	0	4	0	4	0	12	12	0	16 +	-

15:30				0		0		0	0	0	0		0	-
15:45				0		0		0	0	0	1		1	-
16:00				0		1		0	0	0	0		1	-
16:15				0		1		3	0	0	0		4 *	6
16:30				0		0		1	0	0	0		1 *	7
16:45				0		1		0	0	1	2		4 *	10
17:00				2		1		0	0	2	2		7 +	16
17:15				0		0		1	1	1	1		4	16
Total	0	0	0	2	0	4	0	5	1	4	6	0	22	-
Pk Hr	0	0	0	2	0	3	0	4	0	3	4	0	16 *	-
15x4	0	0	0	8	0	4	0	12	0	8	8	0	28 +	-

4 Hr	0	0	0	3	0	5	0	8	1	10	9	0	36	72
------	---	---	---	---	---	---	---	---	---	----	---	---	----	----

PEAK HOUR SUMMARY

