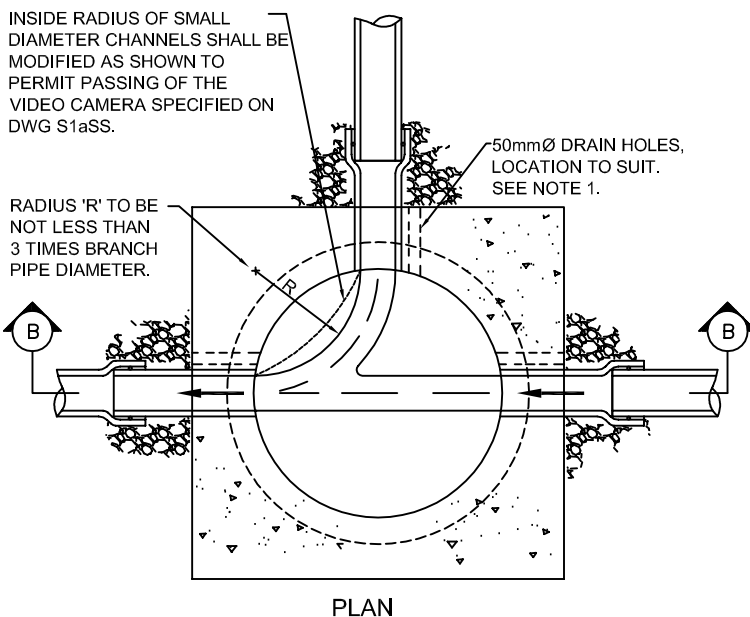


SECTION B-B



NOTES:

1. TRENCH DRAINAGE AT STORM DRAIN MANHOLES ONLY WHERE SPECIFIED : FOR USE IN AREAS WITH HIGH WATER TABLES, EXCESSIVE GROUND WATER FLOW, OR TRENCHES THROUGH CLAY CUTS, BACKFILLED WITH FULL DEPTH GRAVEL.

2. MINIMUM MANHOLE BARREL SIZES SHALL BE INCREASED BASED ON THE FOLLOWING DEPTHS: (LID to INVERT)

0 - 2.5m DEEP	1050mm
2.5 - 5.0m DEEP	1200mm
5.0m + DEEP	1500mm

IF MORE THAN 4 PIPES CONNECT TO THE MANHOLE, DIAMETER TO BE 1500mm, REGARDLESS OF DEPTH.

3. FOR PIPE SIZES OF 400mm AND LARGER, MANHOLE TO BE DESIGNED INDIVIDUALLY.