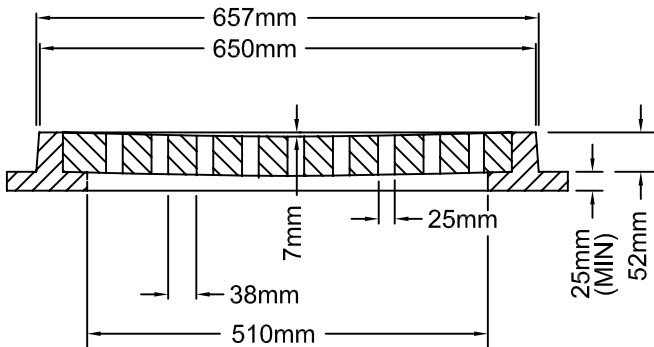
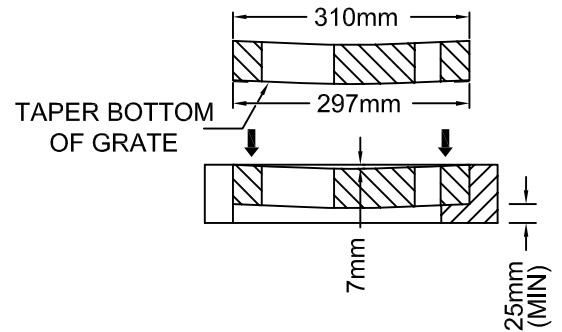


PLAN



SECTION THROUGH B-B



SECTION THROUGH A-A

NOTES:

1. FOR USE WITH CATCH BASINS IN CONJUNCTION WITH CURBS AND GUTTERS.
2. FOR DETAILS OF CATCH BASIN, SEE DWG. S19SS AND S20SS.
3. UNDERSIDE OF GRATE TO HAVE (4) RESTING PADS IN CORNERS, APPROXIMATELY 40x20x3mm. ENSURE GRATE DOES NOT "ROCK" IN FRAME.
4. GRATE TO BE 2-3mm BELOW FRAME
5. ALL DIMENSIONS ARE ± 2 mm, EXCEPT WHERE NOTED.