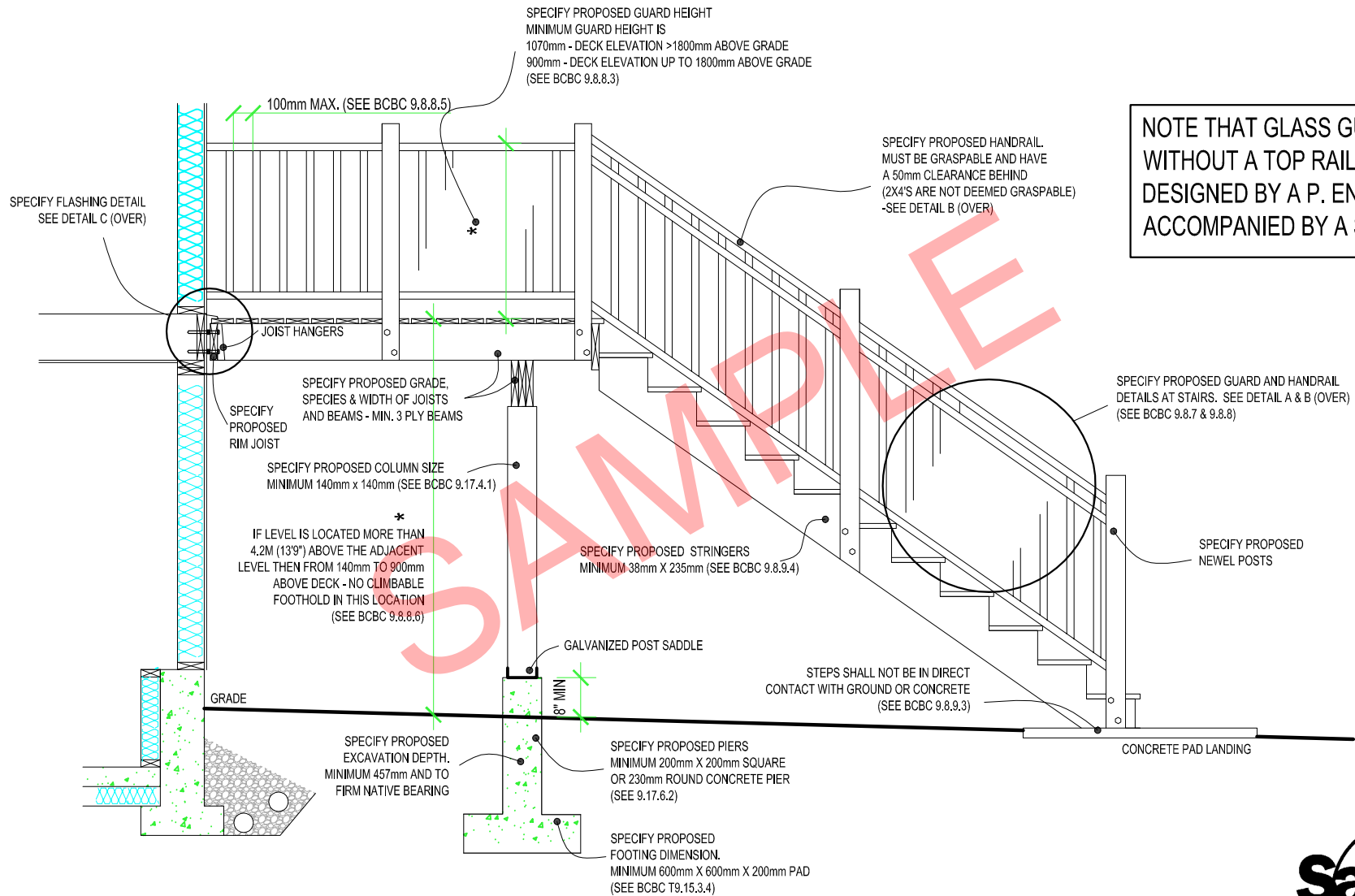


SAMPLE RESIDENTIAL DECK DESIGN

*BCBC REFERS TO BC BUILDING CODE (2018)

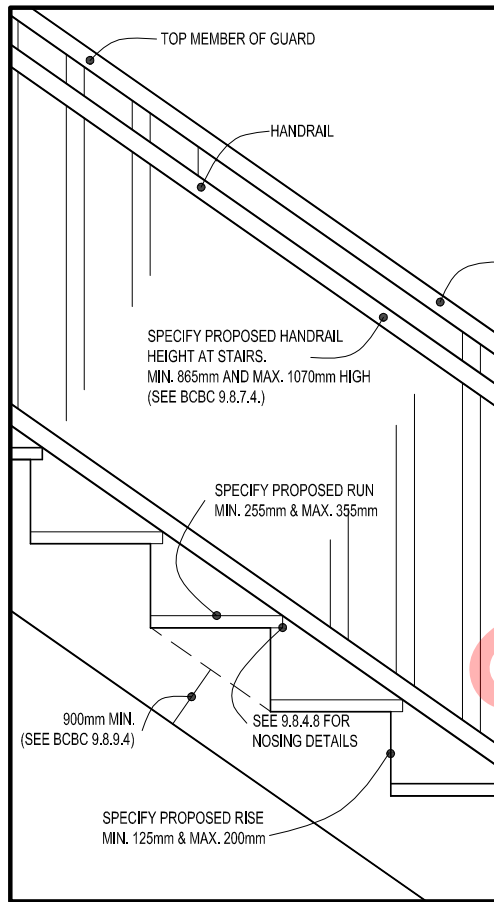


NOTE THAT GLASS GUARDS WITHOUT A TOP RAIL ARE TO BE DESIGNED BY A P. ENG AND BE ACCOMPANIED BY A SCHEDULE B

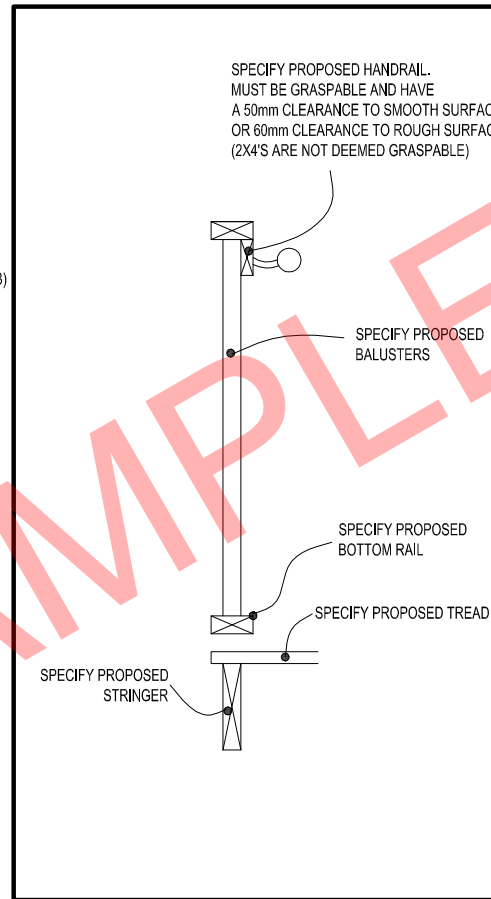


SAMPLE RESIDENTIAL DECK DESIGN

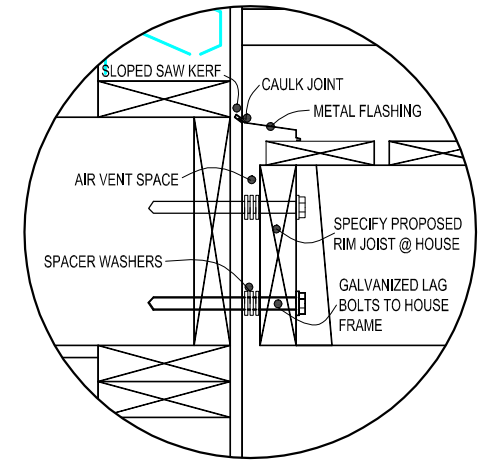
*BCBC REFERS TO BC BUILDING CODE (2018)



DETAIL 'A'



DETAIL 'B'



DETAIL 'C'